

# Kinco Human-machine Interface



## Human-machine Interface Product Catalog

# Corporate Profile



Kinco Automation is a leading supplier of industrial automation products and solutions from China with full line of automation products including industrial human machine interfaces (HMI), AC servo systems, stepper systems, PLC, VFD and field bus products. Kinco aims to help you achieve a leading position in your market.

#### Reliable partner of your success

- Gain the competitive edge
- Support your business
- Serve your needs

#### High standard of quality management

- 100% function and reliability test before delivery
- Quality control and tracking go through the full product life cycle
- Certificated process control and quality management capability

#### Proven performance

- Customers in over 40 countries and in diverse markets and sectors



#### Perpetual innovation

- 8% of annual turnover invested in R&D
- Experienced international R&D teams
- Patent applications continue to rise every year
- Market-driven R&D: we organize our R&D activities around the voice from the customers

Provide Chinese Automation Solutions for Global Customers

<b>MT6000 Series</b>	02
System description	
Hardware description	
Application description	
Technical specification	
Dimensions	
<b>MT5000 Series</b>	07
System description	
Hardware description	
Technical specification	
Dimensions	
<b>MT4000 Series</b>	19
System description	
Hardware description	
Technical specification	
Dimensions	
<b>Software Description</b>	29

# System Description

MT6000 is a brand new series of touch panel HMI (Human Machine Interface) for industrial automation applications and other applications such as building automation and home appliance control. Thanks to the powerful PXA270 CPU and user-friendly Windows CE operation system, MT6000 can bring you performance and flexibility.

Kinco has established partnership with several major software suppliers. Mutual benchmark tests ensure that their WinCE software products are fully compatible with the MT6000 hardware. Users of those software products can easily immigrate from other hardware platform to MT6000 with few projects modifications, in this way they can save their investments and reuse their experiences. Theoretically any software designed for Windows CE and XScale processor could run on MT6000.

The user can also develop their application programs with Microsoft Visual Studio development tool. We provide software development kit (SDK), necessary documents and technical support to help the users complete the software development.

With our 6-year experience in developing and manufacturing HMI touch panels in industrial automation fields, we clearly know what our customers need and the contemporary trend in automation world. MT6000 differences from many other competitors' products on communication interfaces. Besides the conventional serial ports, USB Host/Client ports and Ethernet port, MT6000 provides industrial standard CAN interface. A system expansion port is reserved on the board, which means adding other fieldbus or real-time Ethernet interfaces is very easy. Kinco will provide more fieldbus/RT Ethernet interface expansion options upon the requirement of our customers.

## MT6000 Series Features

- XScale® PXA270 32-bit RISC CPU;
- Windows® CE 5.0 OS pre-installed;
- TFT LCD, screen size 5.7" ,8" and 10.4" ;
- Major HMI/SCADA and soft PLC software ready;
- SDK for developing proprietary application;
- Serial, Ethernet and CAN port;
- SD card slot for mass storage;
- Flexible expansion board.



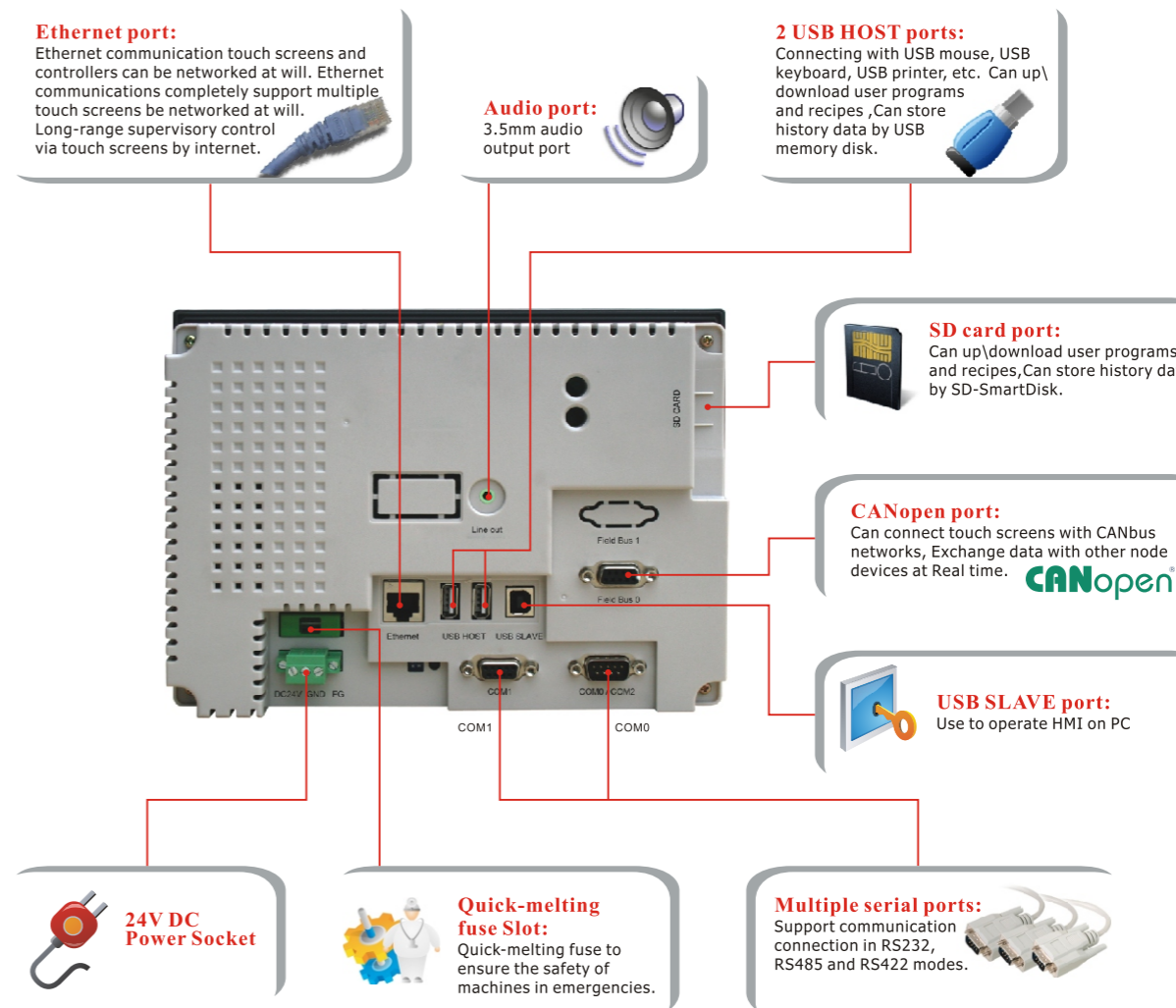
# Hardware Description

### Standard Configuration:

- Three RS-232/485/422 ports
- Two USB-HOST ports
- One USB SLAVE port
- One Ethernet Interface
- One Audio Output Interface
- One SD Card

### Expandable Configuration:

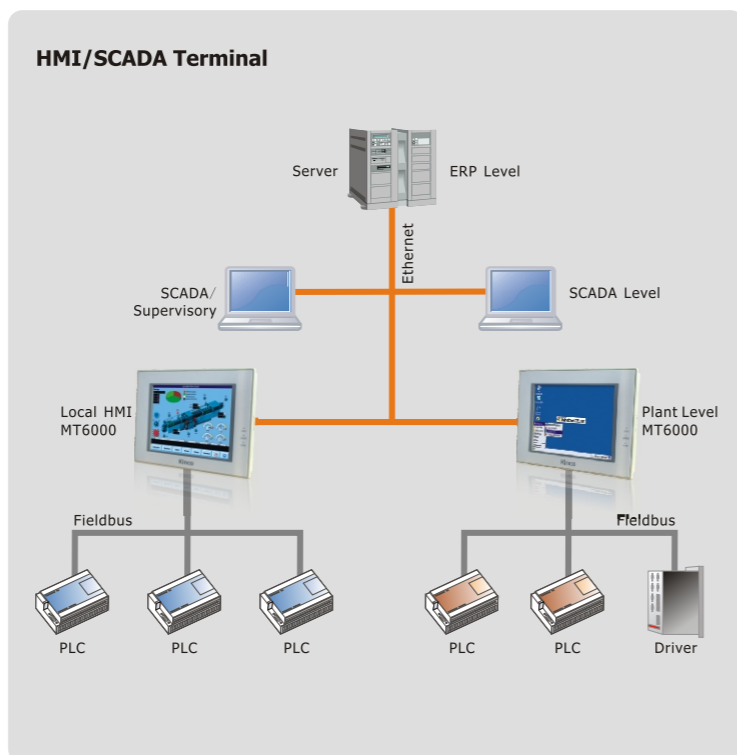
- CANopen Communication Card



# Application Description

## HMI/SCADA Terminal

HMI/SCADA software plays a critical role in today's factory management. MT6000 is a cost-effective choice for on-site HMI terminal. Ethernet interface ensure the easy connection into factory-level network and the smooth flow of data stream from the bottom to the top. SD card slot and USB port make the storage and transfer your invaluable data just a piece of cake. The TFT LCD display can show images of 65536 colors at VGA resolution. There are many HMI/SCADA software products in the market. Any software which can be used on a WinCE/ARMV4 platform is OK for MT6000.

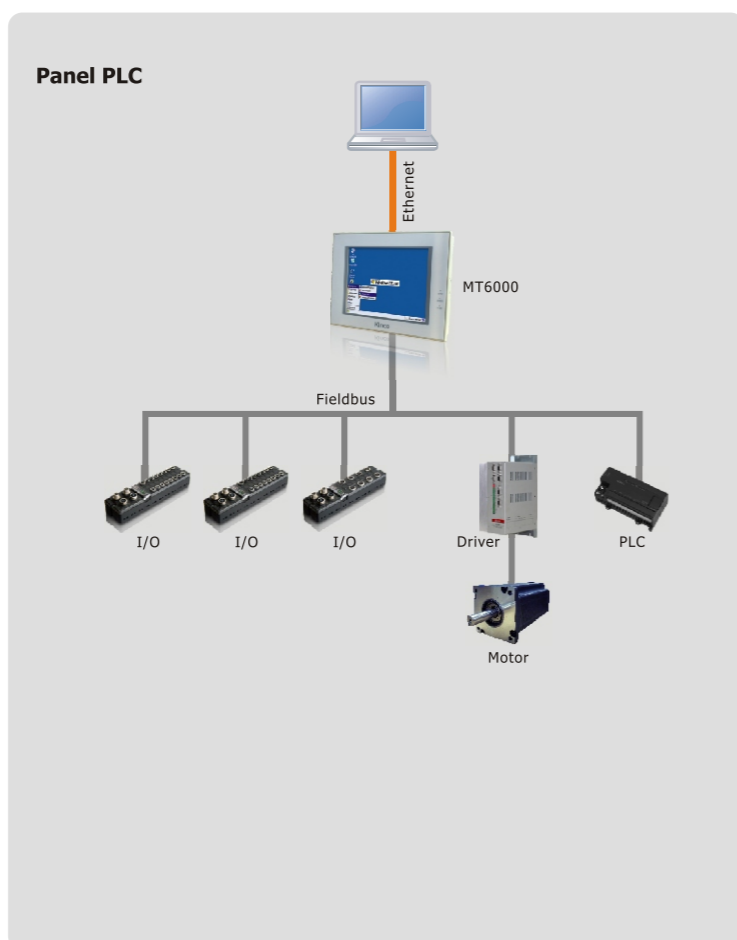


## Panel PLC

Software-based logic controller is another hot topic in today's automation industry. With the powerful RISC processor, MT6000 can execute logic control task in a high-speed. Being a controller-HMI all-in-one integrated solution, the user could save cost and cabin space for mounting. We have cooperated with 3S, one of the leaders in soft-PLC market and made a customized version of CoDeSys runtime.



Besides the serial ports and Ethernet, we provide a CANopen interface which can be configured within the CoDeSys programming environment.



## Other application

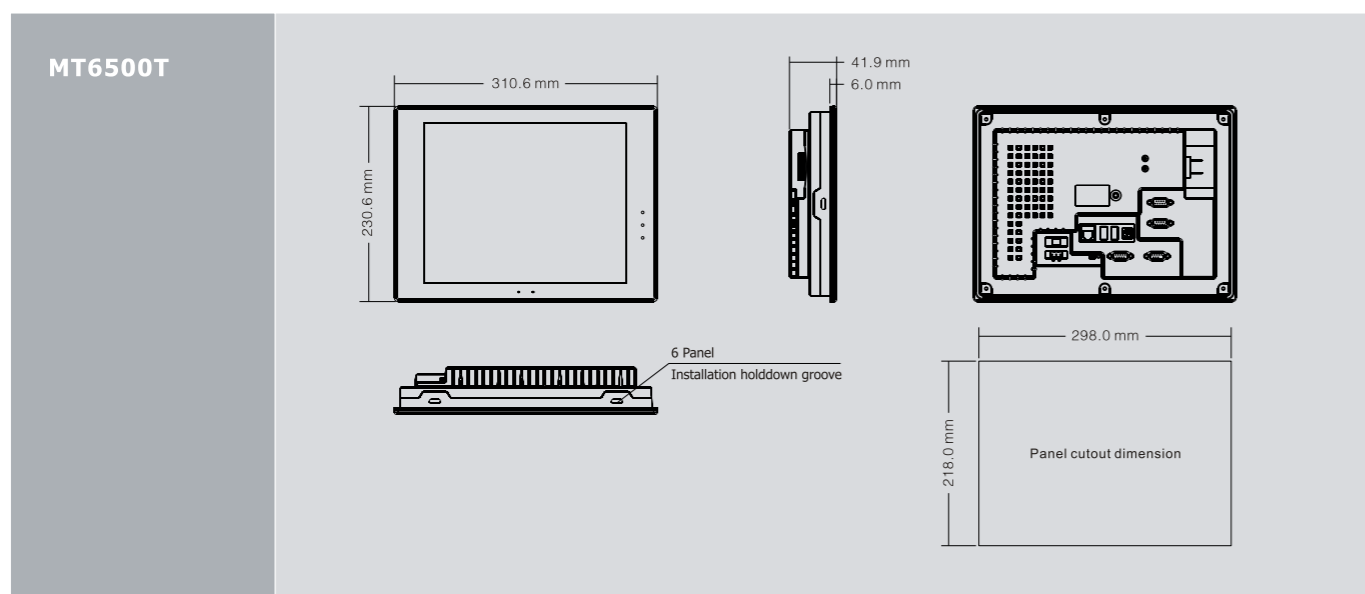
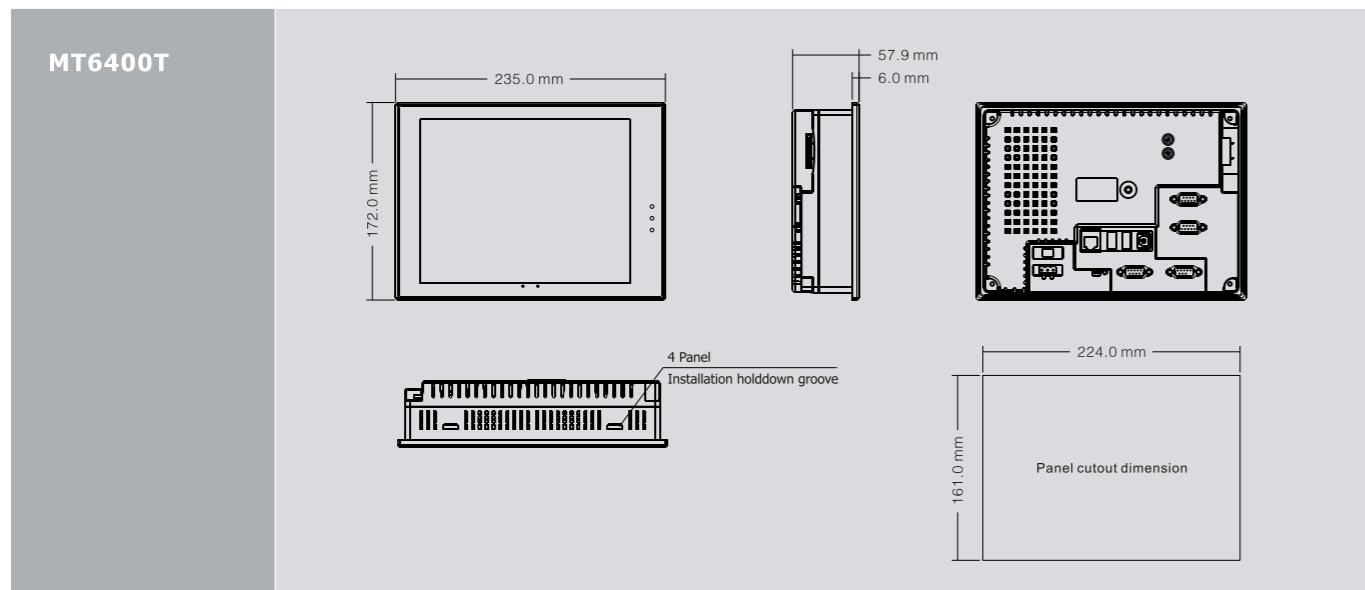
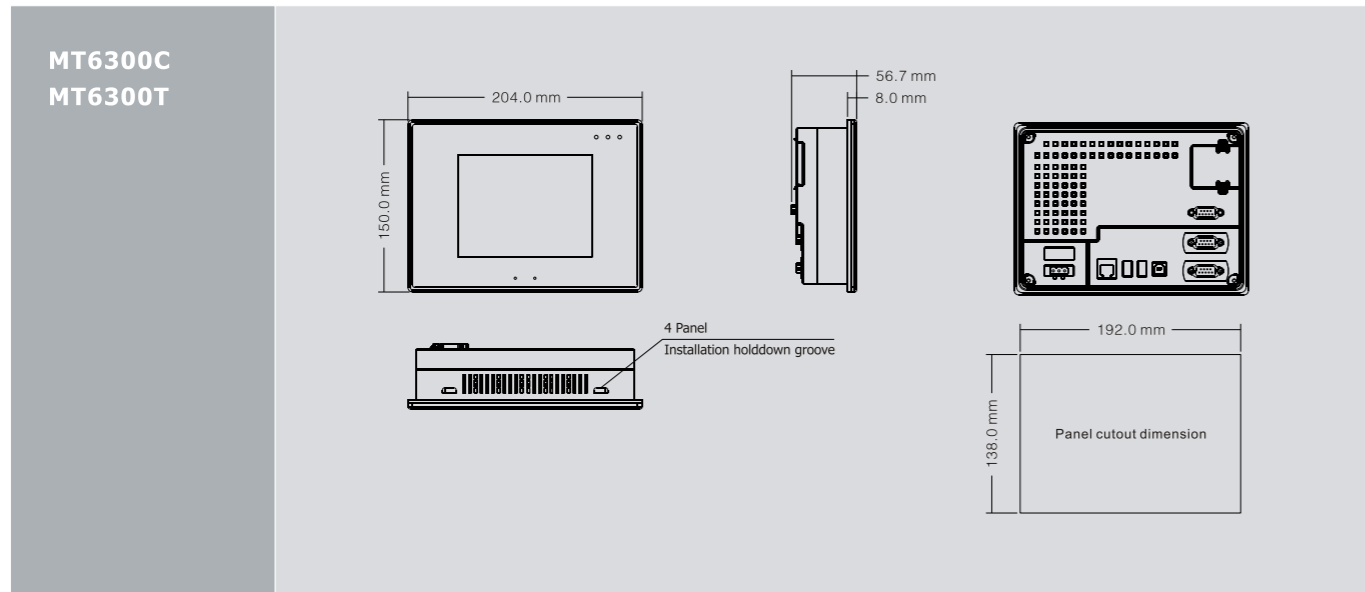
For users who want to develop their specific application, MT6000 can be used as a general-purpose embedded hardware platform. We provide the SDK tools and technical documents and telephone support to help the users complete their developments. The boundary of application is just limited by your imagination!

# MT6000 Series Technical Specifications



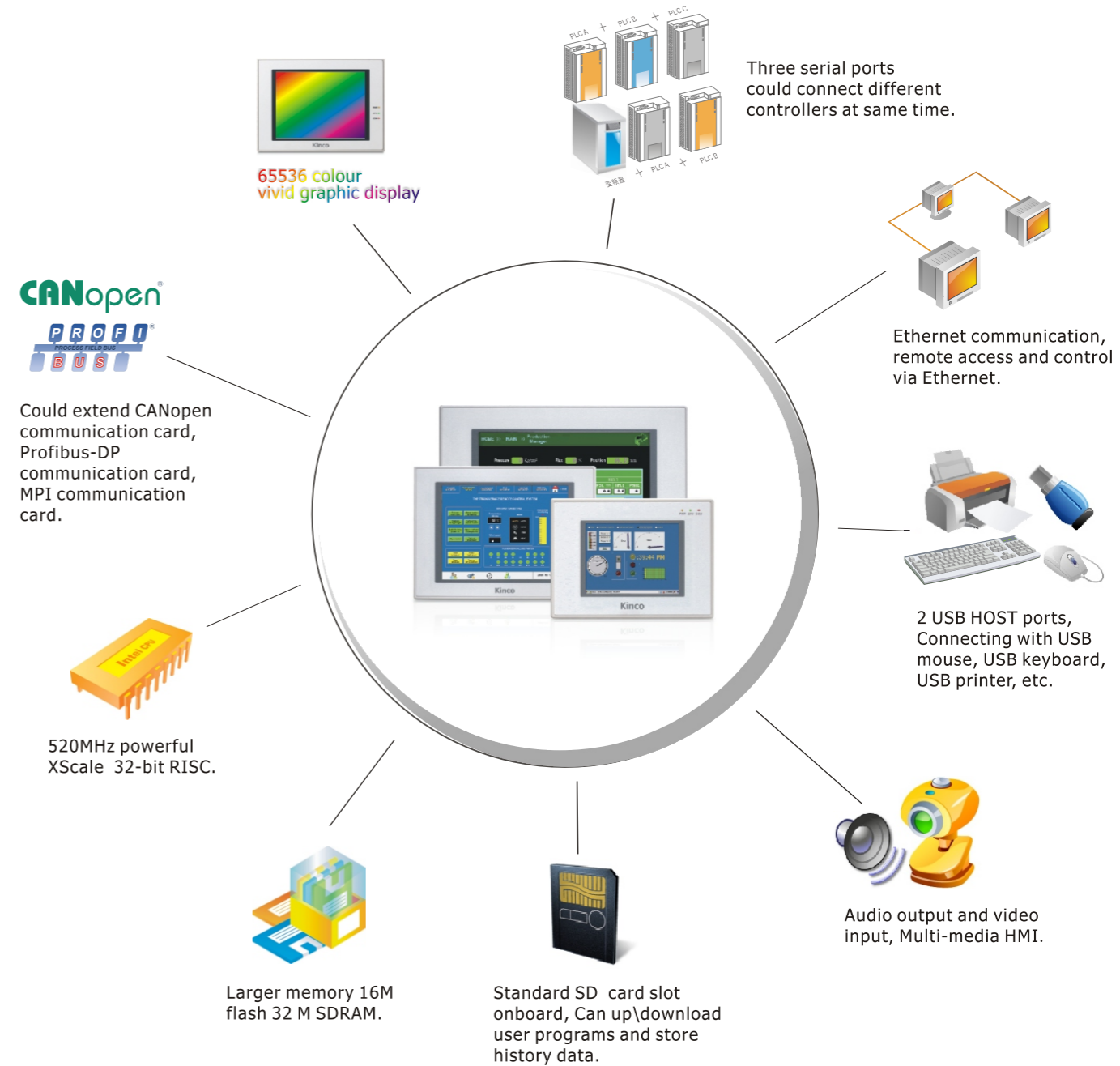
Model	MT6300C	MT6300T	MT6400T	MT6500T
<b>Performance specification</b>				
Display	5.6" TFT	5.7" TFT	8" TFT	10.4" TFT
Resolution	320×234 pixels	320×240 pixels	640×480 pixels	
Color	65536 colors			
Backlight	LED	1CCFL		2CCFL
Brightness	300cd/m <sup>2</sup>	500cd/m <sup>2</sup>	350cd/m <sup>2</sup>	400cd/m <sup>2</sup>
Backlight life	50000 hr.			
Touch Panel	4-wire precision resistance network			
Processor	32-bit RISC CPU 520MHz			
Memory	32M FLASH, 64M SDRAM			
Recipe memory & RTC	512KB & RTC			
Expandable memory	SD Card, USB Stick			
Printer port	Connect a printer with a USB port via USB HOST port.			
Ethernet	10/100 Base-T			
Audio interface	None	1 Audio output interface		
Program download	1 USB SLAVE port, Ethernet port			
COM port	COM1:RS232/RS485-2/RS485-4, COM2:RS232/RS485-2/RS485-4			
Video interface	None			
USB Host	2 USB host ports for keyboard, mouse, printer, and etc.			
Communication module extending	CANopen interface expansion board			
<b>Electrical specification</b>				
Rated power	7.2W	10.8 W	12 W	
Rated voltage	DC24V			
Input range	DC21~DC28V			
Power down allowed	<5ms			
Insulation resistance	Greater than 50MΩ @ 500V DC			
Dielectric strength test	500V AC 1 minute			
<b>Structure specification</b>				
Shell color	Light-gray			
Shell material	ABS			
Dimensions(mm)	204×150×56.7	235×172×57.9	310.6×230.6×55.7	
Cutout size(mm)	192×138	224×161	298×218	
Weight	0.96kg	1.27kg	2kg	
<b>Environment specification</b>				
Operating temperature	0~45℃	-10~70℃	0~45℃	
Operating humidity	10~90% non-condensing			
Storage temperature	-10~60℃	-30~80℃	-10~60℃	
Storage humidity	10~90% non-condensing			
Shockproof test	10~25Hz (X, Y, Z direction, 2G, 30 minutes)			
Cooling method	Natural air cooling			
<b>Certification</b>				
Degree of protection	IP65 (front panel)			
CE certification	Comply with EN61000-6-2:2005 and EN61000-6-4:2007standards			
FCC compatibility	Complies with FCC Class A			

# Dimensions (Unit:mm)



# System Description

MT5000 series HMI use INTEL 520MHz RISC CPU and LINUX operating system, have the easy learning configuration software, maintain the classic HMI design. It supports USB HOST function and SD card, and could manage data and preserve parameters online, you can quickly up/download user programs, and integrate the audio output; MT5000 series HMI integrate industry Ethernet and Fieldbus interface, could be linked with other screens in eView protocol, could communicate with other controllers via Ethernet interface in MODBUS TCP/IP protocol, could exchange data with controller via OPC software, could extend CANopen communication card and Profibus-DP communication card, connecting to the field bus network.



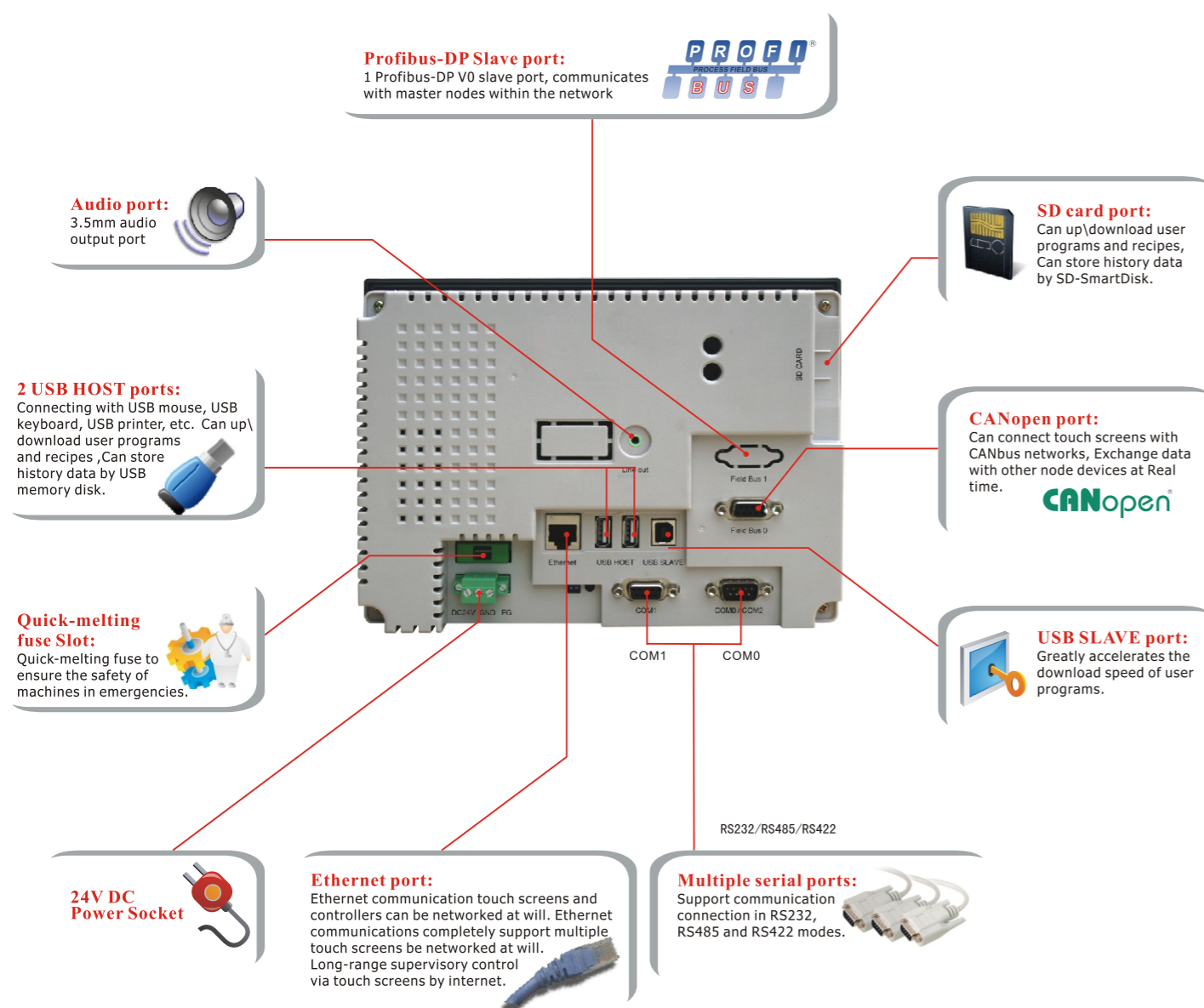
# Hardware Description

## Standard Configuration:

- Three RS-232/485/422 ports
- Two USB-HOST ports
- One USB SLAVE port
- One Ethernet Interface
- One Audio Output Interface
- Two Video input interface
- One SD Card

## Expandable Configuration:

- Profibus-DP Communication Card
- CANopen Communication Card
- MPI Communication Card



## MT5000 Series Features



- Higher performance and efficiency thanks to the 520MHz powerful XScale® 32-bit RISC processor;
- Larger and expansible memory for more complicated user application and data storage;
- Dual USB host ports compatible with peripherals like mouse, keyboard, printer and USB disk. Users can upload/download application and recipes data from/to the panel by using USB disk. Historical data can also be stored in the USB disk;
- Standard SD® card slot onboard  
Just like the USB disk, SD® card can be used for uploading/downloading application and recipes data from/to the panel. Also, historical data can be stored in the card;
- 3.5mm audio output port for external speaker;
- Some models support two-channel video input interface, they can be used real-time monitoring on industrial fields;
- RJ45 Ethernet interface through which the panel can communicate with controllers and other panels, users can remotely get access to the panel via the internet also;
- Optional CANopen interface makes it possible for using the panel as a CAN node. With proper drivers, the panel can be used as a host or client. With MT5020, you CAN;
- The panel can exchange data with Profibus-DP node with the optional Profibus interface;
- With optional MPI interface, the panel can communicate with Siemens S7-300/400 without any costly adapters;
- 1 USB slave port for downloading application data from the PC faster than via serial port;
- 65536 color TFT LCD ensures vivid graphic display.

# MT5000 Series

## Technical Specifications



Model	MT5320C	MT5320C-DP	MT5320C-CAN	MT5320C-MPI
<b>Performance specification</b>				
Display	5.6" TFT			
Resolution	320×234 pixels			
Color	65536 colors			
Backlight	LED			
Brightness	300cd/m <sup>2</sup>			
Backlight life	50000 hr.			
Touch Panel	4-wire precision resistance network			
Processor	32-bit RISC CPU 520MHz			
Memory	8M FLASH, 16M SDRAM			
Recipe memory & RTC	512KB & RTC			
Expandable memory	1 SD Card, 2 USB HOST			
Printer port	USB/Serial port			
Ethernet	10/100 Base-T			
Audio interface	None			
Vedio interface	None			
Program download	1 USB SLAVE port/Serial port/Ethernet port			
COM port	COM0:RS232/RS485-2/RS485-4, COM1:RS232/RS485-2/RS485-4, COM2:RS232			
Expansion port	None	Profibus-DP	CANopen	MPI
<b>Electrical specification</b>				
Rated power	7.2 W			
Rated voltage	DC24V			
Input range	21~28VDC			
Momentary power-off	<3ms			
Insulation resistance	Greater than 50MΩ @ 500V DC			
Dielectric strength test	500V AC 1 minute			
<b>Structure specification</b>				
Shell color	Light-gray			
Shell material	ABS			
Dimensions(mm)	204×150×56.7			
Cutout size(mm)	192×138			
Weight	0.96kg			
<b>Environment specification</b>				
Operating temperature	-10~70℃			
Operating humidity	10~90% non-condensing			
Storage temperature	-30~80℃			
Storage humidity	10~90% non-condensing			
Shockproof test	10~25Hz (X, Y, Z direction, 2G, 30 minutes)			
Cooling method	Natural air cooling			
<b>Certification</b>				
Degree of protection	IP65 (front panel)			
CE certification	Comply with EN61000-6-2:2005 and EN61000-6-4:2007standards			
FCC compatibility	Complies with FCC Class A			

# MT5000 Series

## Technical Specifications



Model	MT5323T	MT5323T-DP	MT5323T-CAN	MT5323T-MPI
<b>Performance specification</b>				
Display	5.7" TFT			
Resolution	640×480 pixels			
Color	65536 colors			
Backlight	LED			
Brightness	700cd/m <sup>2</sup>			
Backlight life	50000 hr.			
Touch Panel	4-wire precision resistance network			
Processor	32-bit RISC CPU 520MHz			
Memory	16M FLASH, 32M SDRAM			
Recipe memory & RTC	512KB & RTC			
Expandable memory	1 SD Card, 2 USB HOST			
Printer port	USB/Serial port			
Ethernet	10/100 Base-T			
Audio interface	None			
Vedio interface	None			
Program download	1 USB SLAVE port/Serial port/Ethernet port			
COM port	COM0:RS232/RS485-2/RS485-4, COM1:RS232/RS485-2/RS485-4, COM2:RS232			
Expansion port	None	Profibus-DP	CANopen	MPI
<b>Electrical specification</b>				
Rated power	10 W			
Rated voltage	DC24V			
Input range	12~28VDC			
Momentary power-off	<3ms			
Insulation resistance	Greater than 50MΩ @ 500V DC			
Dielectric strength test	500V AC 1 minute			
<b>Structure specification</b>				
Shell color	Light-gray			
Shell material	ABS			
Dimensions(mm)	204×150×56.7			
Cutout size(mm)	192×138			
Weight	0.96kg			
<b>Environment specification</b>				
Operating temperature	-20~70℃			
Operating humidity	10~90% non-condensing			
Storage temperature	-30~80℃			
Storage humidity	10~90% non-condensing			
Shockproof test	10~25Hz (X, Y, Z direction, 2G, 30 minutes)			
Cooling method	Natural air cooling			
<b>Certification</b>				
Degree of protection	IP65 (front panel)			
CE certification	Comply with EN61000-6-2:2005 and EN61000-6-4:2007standards			
FCC compatibility	Complies with FCC Class A			

# MT5000 Series

## Technical Specifications



Model	MT5420T	MT5420T-DP	MT5420T-CAN	MT5420T-MPI
<b>Performance specification</b>				
Display	8" TFT			
Resolution	640×480 pixels			
Color	65536			
Backlight	1CCFL			
Brightness	350cd/m <sup>2</sup>			
Backlight life	50000 hr.			
Touch Panel	4-wire precision resistance network			
Processor	32-bit RISC CPU 520MHz			
Memory	16M FLASH, 32M SDRAM			
Recipe memory & RTC	512KB & RTC			
Expandable memory	1 SD Card, 2 USB HOST			
Printer port	USB/Serial port			
Ethernet	10/100 Base-T			
Audio interface	1 Audio output interface			
Vedio interface	None			
Program download	1 USB SLAVE port/Serial port/Ethernet port			
COM port	COM0:RS232/RS485-2/RS485-4, COM1:RS232/RS485-2/RS485-4, COM2:RS232			
Expansion port	None	Profibus-DP	CANopen	MPI
<b>Electrical specification</b>				
Rated power	10.8 W			
Rated voltage	DC24V			
Input range	21~28VDC			
Momentary power-off	<3ms			
Insulation resistance	Greater than 50MΩ @ 500V DC			
Dielectric strength test	500V AC 1 minute			
<b>Structure specification</b>				
Shell color	Light-gray			
Shell material	ABS			
Dimensions(mm)	235×172×57.9			
Cutout size(mm)	224×161			
Weight	1.27kg			
<b>Environment specification</b>				
Operating temperature	0~45℃			
Operating humidity	10~90% non-condensing			
Storage temperature	-10~60℃			
Storage humidity	10~90% non-condensing			
Shockproof test	10~25Hz (X, Y, Z direction, 2G, 30 minutes)			
Cooling method	Natural air cooling			
<b>Certification</b>				
Degree of protection	IP65 (front panel)			
CE certification	Comply with EN61000-6-2:2005 and EN61000-6-4:2007standards			
FCC compatibility	Complies with FCC Class A			

# MT5000 Series

## Technical Specifications



Model	MT5423T	MT5423T-DP	MT5423T-CAN	MT5423T-MPI
<b>Performance specification</b>				
Display	8" TFT			
Resolution	800×600 pixels			
Color	65536			
Backlight	LED			
Brightness	300cd/m <sup>2</sup>			
Backlight life	50000 hr.			
Touch Panel	4-wire precision resistance network			
Processor	32-bit RISC CPU 520MHz			
Memory	16M FLASH, 32M SDRAM			
Recipe memory & RTC	512KB & RTC			
Expandable memory	1 SD Card, 2 USB HOST			
Printer port	USB/Serial port			
Ethernet	10/100 Base-T			
Audio interface	1 Audio output interface			
Vedio interface	None			
Program download	1 USB SLAVE port/Serial port/Ethernet port			
COM port	COM0:RS232/RS485-2/RS485-4, COM1:RS232/RS485-2/RS485-4, COM2:RS232			
Expansion port	None	Profibus-DP	CANopen	MPI
<b>Electrical specification</b>				
Rated power	8 W			
Rated voltage	DC24V			
Input range	12~28VDC			
Momentary power-off	<3ms			
Insulation resistance	Greater than 50MΩ @ 500V DC			
Dielectric strength test	500V AC 1 minute			
<b>Structure specification</b>				
Shell color	Light-gray			
Shell material	ABS			
Dimensions(mm)	235×172×57.9			
Cutout size(mm)	224×161			
Weight	1.27kg			
<b>Environment specification</b>				
Operating temperature	0~45℃			
Operating humidity	10~90% non-condensing			
Storage temperature	-10~60℃			
Storage humidity	10~90% non-condensing			
Shockproof test	10~25Hz (X, Y, Z direction, 2G, 30 minutes)			
Cooling method	Natural air cooling			
<b>Certification</b>				
Degree of protection	IP65 (front panel)			
CE certification	Comply with EN61000-6-2:2005 and EN61000-6-4:2007standards			
FCC compatibility	Complies with FCC Class A			



# MT5000 Series Technical Specifications



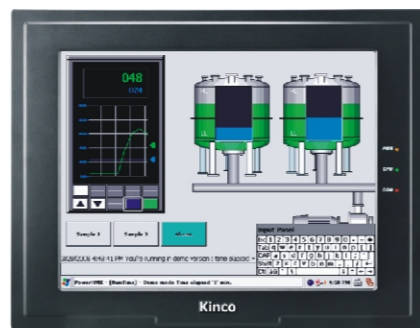
Model	MT5520T	MT5520T-DP	MT5520T-CAN	MT5520T-MPI
<b>Performance specification</b>				
Display	10.4" TFT			
Resolution	640×480 pixels			
Color	65536			
Backlight	2 CCFL			
Brightness	400cd/m <sup>2</sup>			
Backlight life	50000 hr.			
Touch Panel	4-wire precision resistance network			
Processor	32-bit RISC CPU 520MHz			
Memory	16M FLASH, 32M SDRAM			
Recipe memory & RTC	512KB & RTC			
Expandable memory	1 SD Card, 2 USB HOST			
Printer port	USB/Serial port			
Ethernet	10/100 Base-T			
Audio interface	1 Audio output interface			
Vedio interface	None			
Program download	1 USB SLAVE port/Serial port/Ethernet port			
COM port	COM0:RS232/RS485-2/RS485-4, COM1:RS232/RS485-2/RS485-4, COM2:RS232			
Expansion port	None	Profibus-DP	CANopen	MPI
<b>Electrical specification</b>				
Rated power	12 W			
Rated voltage	DC24V			
Input range	21~28VDC			
Momentary power-off	<3ms			
Insulation resistance	Greater than 50MΩ @ 500V DC			
Dielectric strength test	500V AC 1 minute			
<b>Structure specification</b>				
Shell color	Light-gray			
Shell material	ABS			
Dimensions(mm)	310.6×230.6×55.7			
Cutout size(mm)	298×218			
Weight	2kg			
<b>Environment specification</b>				
Operating temperature	0~45℃			
Operating humidity	10~90% non-condensing			
Storage temperature	-10~60℃			
Storage humidity	10~90% non-condensing			
Shockproof test	10~25Hz (X, Y, Z direction, 2G, 30 minutes)			
Cooling method	Natural air cooling			
<b>Certification</b>				
Degree of protection	IP65 (front panel)			
CE certification	Comply with EN61000-6-2:2005 and EN61000-6-4:2007standards			
FCC compatibility	Complies with FCC Class A			

# MT5000 Series Technical Specifications



Model	MT5620T	MT5620T-DP	MT5620T-CAN	MT5620T-MPI
<b>Performance specification</b>				
Display	12.1" TFT			
Resolution	800×600 pixels			
Color	65536			
Backlight	2 CCFL			
Brightness	250cd/m <sup>2</sup>			
Backlight life	50000 hr.			
Touch Panel	4-wire precision resistance network			
Processor	32-bit RISC CPU 520MHz			
Memory	16M FLASH, 32M SDRAM			
Recipe memory & RTC	512KB & RTC			
Expandable memory	1 SD Card, 2 USB HOST			
Printer port	USB/Serial port			
Ethernet	10/100 Base-T			
Audio interface	1 Audio output interface			
Vedio interface	2 PAL signal video input interface,BNC connector			
Program download	1 USB SLAVE port/Serial port/Ethernet port			
COM port	COM0:RS232/RS485-2/RS485-4, COM1:RS232/RS485-2/RS485-4, COM2:RS232			
Expansion port	None	Profibus-DP	CANopen	MPI
<b>Electrical specification</b>				
Rated power	15.6 W			
Rated voltage	DC24V			
Input range	21~28VDC			
Momentary power-off	<3ms			
Insulation resistance	Greater than 50MΩ @ 500V DC			
Dielectric strength test	500V AC 1 minute			
<b>Structure specification</b>				
Shell color	Black			
Shell material	Metal			
Dimensions(mm)	350×264×48.7			
Cutout size(mm)	327×241			
Weight	4.3kg			
<b>Environment specification</b>				
Operating temperature	-10~60℃			
Operating humidity	10~90% non-condensing			
Storage temperature	-20~70℃			
Storage humidity	10~90% non-condensing			
Shockproof test	10~25Hz (X, Y, Z direction, 2G, 30 minutes)			
Cooling method	Natural air cooling			
<b>Certification</b>				
Degree of protection	IP65 (front panel)			
CE certification	Comply with EN61000-6-2:2005 and EN61000-6-4:2007standards			
FCC compatibility	Complies with FCC Class A			

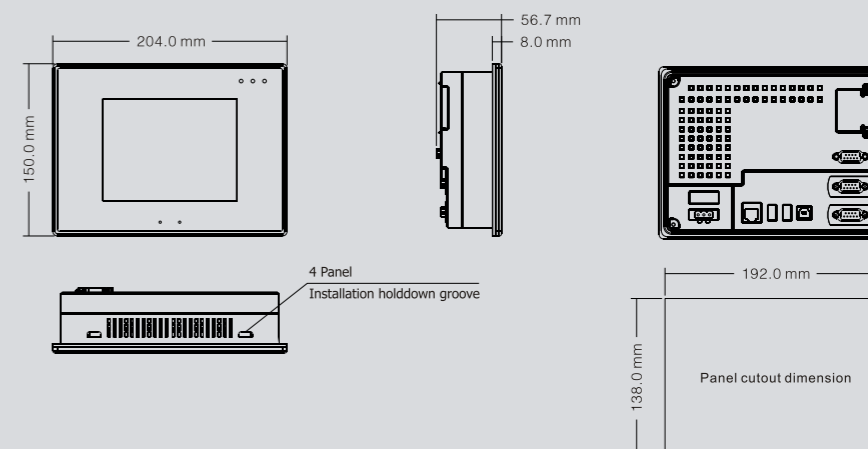
# MT5000 Series Technical Specifications



Model	MT5720T	MT5720T-DP	MT5720T-CAN	MT5720T-MPI
<b>Performance specification</b>				
Display	15" TFT			
Resolution	1024×768 pixels			
Color	65536			
Backlight	2 CCFL			
Brightness	250cd/m <sup>2</sup>			
Backlight life	50000 hr.			
Touch Panel	4-wire precision resistance network			
Processor	32-bit RISC CPU 520MHz			
Memory	16M FLASH, 32M SDRAM			
Recipe memory & RTC	512KB & RTC			
Expandable memory	1 SD Card, 2 USB HOST			
Printer port	USB/Serial port			
Ethernet	10/100 Base-T			
Audio interface	1 Audio output interface			
Vedio interface	2 PAL signal video input interface,BNC connector			
Program download	1 USB SLAVE port/Serial port/Ethernet port			
COM port	COM0:RS232/RS485-2/RS485-4, COM1:RS232/RS485-2/RS485-4, COM2:RS232			
Expansion port	None	Profibus-DP	CANopen	MPI
<b>Electrical specification</b>				
Rated power	16.8 W			
Rated voltage	DC24V			
Input range	21~28VDC			
Momentary power-off	<3ms			
Insulation resistance	Greater than 50MΩ @ 500V DC			
Dielectric strength test	500V AC 1 minute			
<b>Structure specification</b>				
Shell color	Black			
Shell material	Metal			
Dimensions(mm)	406.5×313.5×48.3			
Cutout size(mm)	387.5×294.5			
Weight	5.1kg			
<b>Environment specification</b>				
Operating temperature	0~50℃			
Operating humidity	10~90% non-condensing			
Storage temperature	-20~60℃			
Storage humidity	10~90% non-condensing			
Shockproof test	10~25Hz (X, Y, Z direction, 2G, 30 minutes)			
Cooling method	Natural air cooling			
<b>Certification</b>				
Degree of protection	IP65 (front panel)			
CE certification	Comply with EN61000-6-2:2005 and EN61000-6-4:2007standards			
FCC compatibility	Complies with FCC Class A			

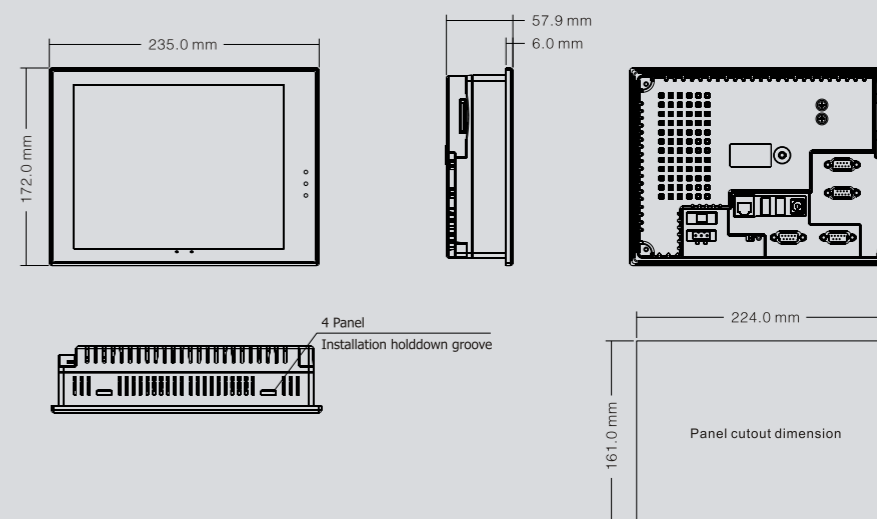
# Dimensions (Unit:mm)

MT5320C  
MT5320C-DP  
MT5320C-CAN  
MT5320C-MPI



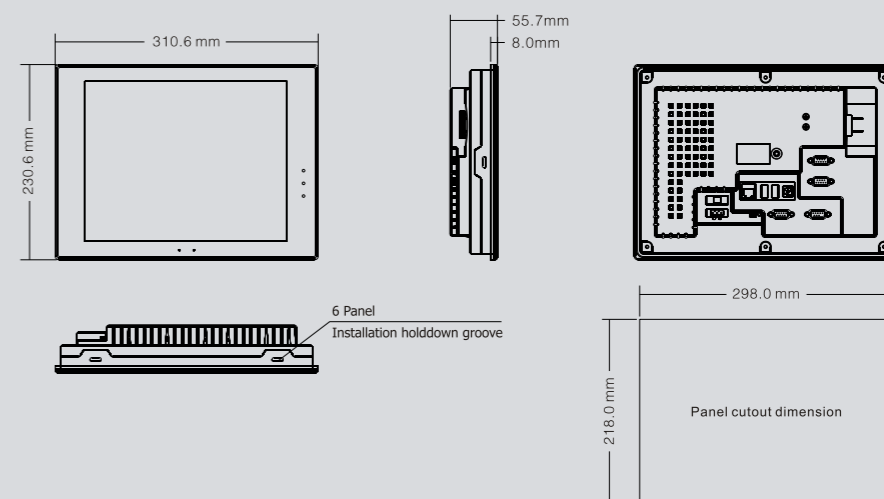
MT5323T  
MT5323T-DP  
MT5323T-CAN  
MT5323T-MPI

MT5420T  
MT5420T-DP  
MT5420T-CAN  
MT5420T-MPI

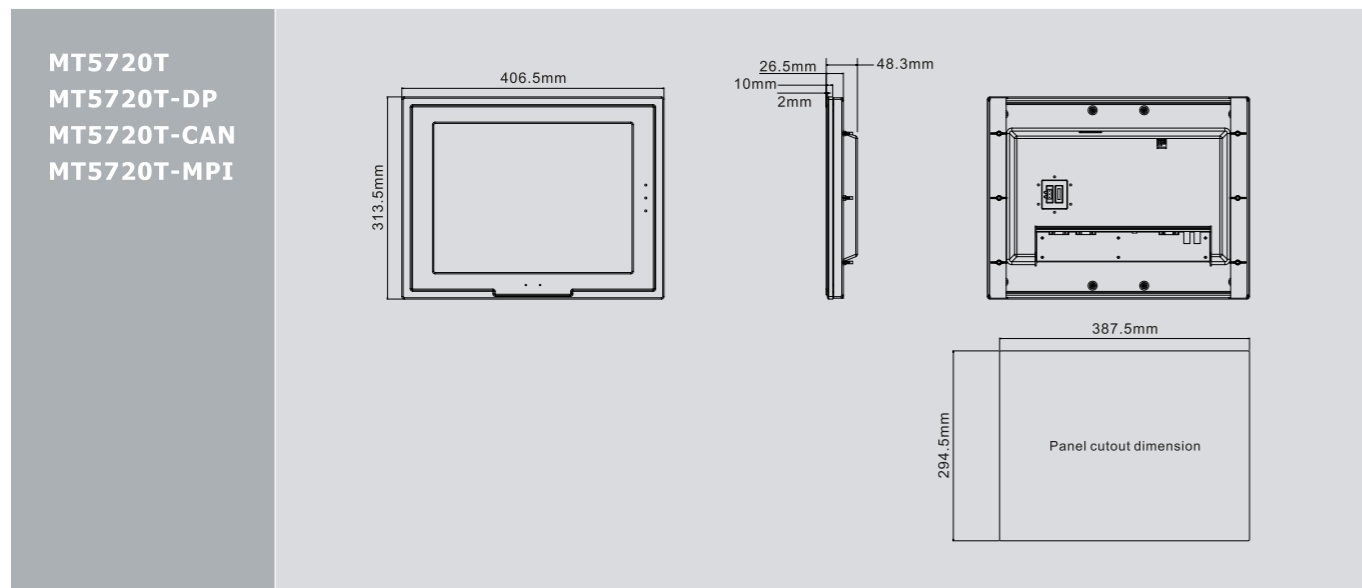
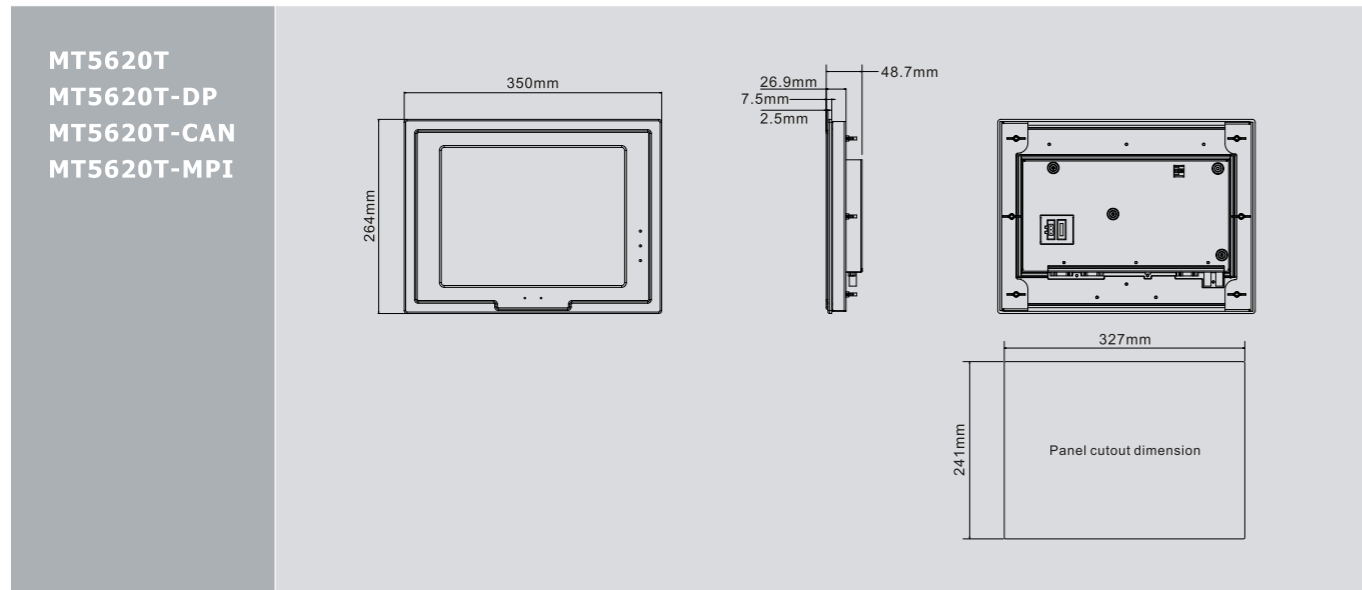


MT5423T  
MT5423T-DP  
MT5423T-CAN  
MT5423T-MPI

MT5520T  
MT5520T-DP  
MT5520T-CAN  
MT5520T-MPI



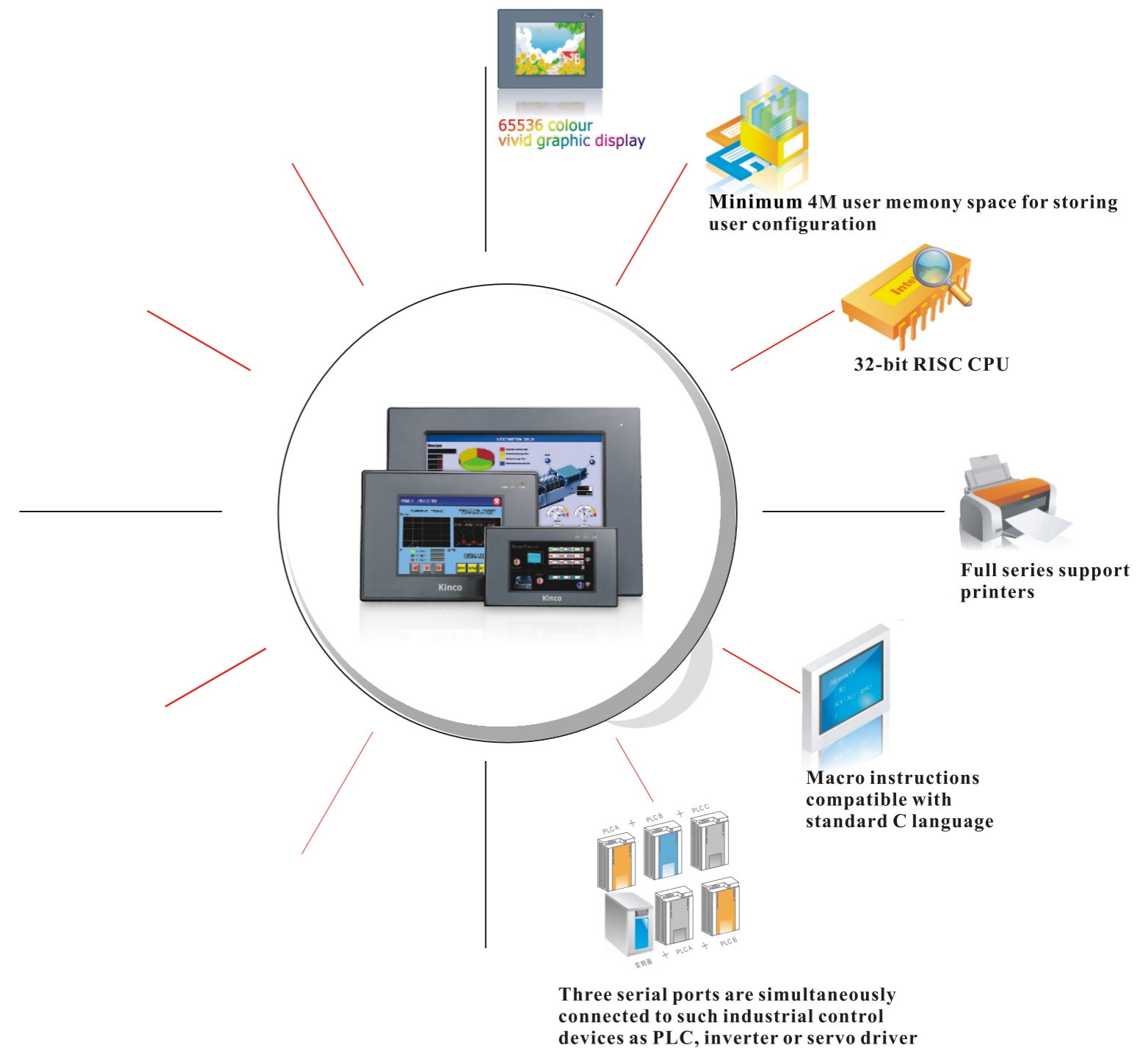
# Dimensions (Unit:mm)



# System Description

As the industrial competition is getting fiercer, more and more customers demand HMI products featuring more powerful functions, more convenient operation, quicker response speed, and lower cost. As an upgraded version, the MT4000 is designed to meet customer requirements. It derives from our consistent efforts to improve HMI touch screens and represents one of the many high-performance products for industrial applications.

Inheriting most of the functions of the high-end MT5000 series, the MT4000 adopts the 32-bit RISC CPU, capable of calling complicated shapes and satisfying the requirements of most customers. It can communicate directly with many PLCs, while no special program is required for data transfer with these PLCs. In addition, it supports such functions as online simulation, super-large storage space for user configurations, and macros compatible with the standard C language. It can perform on-site data collection, processing, monitoring, and output in a quick, effective, and secure way.



# Hardware Description

Standard configuration

- Three high-speed serial ports
- One USB SLAVE port
- One printer port

## USB download greatly accelerates the download speed of user configurations



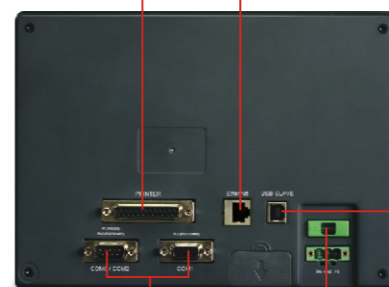
The traditional HMI uses a serial port to download, with the maximum download speed is about 11.5K bytes/s. MT4000 uses USB1.1 port to download data from device, with a speed as high as 100K bytes/s, which greatly improves the configuration download speed. (A new version capable of data exchange with USB flash disk is to be launched soon.)

## Connected to printer with parallel port, Provide stable and smooth printing

Supporting the connection to mainstream ink-jet and laser printers and mini printers.



## RJ45 Ethernet interface supports the connection between HMI and Ethernet controller or PC



## Supporting simultaneous communications via multiple serial ports

MT4000 series support communication connection in RS232, RS485 and RS422 modes. The three communication ports of the standard hardware can support different PLC communication protocols at the same time and can be connected to different controllers. The three ports are completely independent. The PLC communication failure of one port will not affect the communication of the other port, featuring high reliability.



**Quick-melting fuse to ensure the safety of machines in emergencies**

# MT4000 Series Features



- 10M/100M Ethernet interface, supports Ethernet communication based on CS structure, could be used for the setting of system parameters and online simulation of project configuration, multiple HMIs could be linked via Ethernet, could communicate with PC and PLC via Ethernet interface, could exchange data with controller which supports Ethernet communication via OPC software (only applicable to MT4000E series);
- 65536 true color TFT LCD, supports the import multiple windows image formats, such as BMP, JPG, GIF; supports all fonts of windows platform, supports 4 languages of interface display;
- 32-bit, 400MHz RISC CPU;
- 8M FLASH ROM + 16M SDRAM, larger storage space;
- Compatible with major PLCs and controllers, could provide customer-made communication drive program rapidly;
- 256KB recipe memory, could record data easily, convenient for user to inquire;
- Supports the timing of a minimum of 100ms, configured with multiple functions such as timing data transfer, value accumulation, decrease and macro instruction;
- Real-time clock, could reserve time for more than 2 years at power-off state;
- 3 COM ports, supports simultaneous communications with controllers of 3 different protocols, supports RS232/RS422/RS485 mode;
- 1 USB SLAVE port, greatly accelerates the download speed of user configuration;
- One DB15/DB25 printer port;
- Powerful configuration software-EV5000 supports macro commands and provides rich drawing library.

# MT4000 Series

## Technical Specifications



MT4210T



MT4220TE

Model	MT4210T	MT4220TE
<b>Performance specification</b>		
Display	4.3" TFT	
Resolution	480×272 pixels	
Color	65536 colors	
Backlight	LED	
Brightness	300cd/m <sup>2</sup>	
Backlight life	50000 hr.	
Touch Panel	4-wire precision resistance network	
Processor	32-bit RISC CPU 400MHz	32-bit RISC CPU 800MHz
Memory	128M FLASH + 64M SDRAM	
Expandable memory	None	1 USB host, 1 SD card
Recipe memory & RTC	512KB + RTC	
Printer port	Serial port	Serial port/USB port
Ethernet	None	Support
Program download	USB SLAVE/Serial port	USB SLAVE/Serial port/Ethernet port
COM port	COM0:RS232/RS485-2/RS485-4, COM2:RS232	
<b>Electrical specification</b>		
Rated power	3.5 W	
Rated voltage	DC24V	
Input range	12~28VDC	
Power down allowed	<3ms	
Insulation resistance	Greater than 50MΩ @ 500V DC	
Dielectric strength test	500VAC 1 minute	
<b>Structure specification</b>		
Shell color	Black	
Shell material	ABS	
Dimensions(mm)	154×89×59.8	
Cutout size(mm)	145×81	
Weight	0.34kg	
<b>Environment specification</b>		
Operating temperature	-20~55℃	
Operating humidity	10~90% non-condensing	
Storage temperature	-25~60℃	
Storage humidity	10~90% non-condensing	
Shockproof test	10~25Hz (X, Y, Z direction, 2G, 30 minutes)	
Cooling method	Natural air cooling	
<b>Certification</b>		
Degree of protection	IP65 (front panel)	
CE certification	Comply with EN61000-6-2:2005 and EN61000-6-4:2007standards	
FCC compatibility	Complies with FCC Class A	

# MT4000 Series

## Technical Specifications



MT4300C/MT4300CE



MT4300T/MT4300TE

Model	MT4300C	MT4300CE	MT4300T	MT4300TE
<b>Performance specification</b>				
Display	5.6" TFT		5.7" TFT	
Resolution	320×234 pixels		320×240 pixels	
Color	65536 colors			
Backlight	LED		1CCFL	
Brightness	300cd/m <sup>2</sup>		500cd/m <sup>2</sup>	
Backlight life	50000 hr.			
Touch Panel	4-wire precision resistance network			
Processor	32-bit RISC CPU 400MHz			
Memory	8M FLASH, 16M SDRAM			
Expandable memory	None			
Recipe memory & RTC	256KB & RTC			
Printer port	DB15/Serial port			
Ethernet	None	Support	None	Support
Program download	USB SLAVE/Serial port	USB SLAVE/Serial port/Ethernet port	USB SLAVE/Serial port	USB SLAVE/Serial port/Ethernet port
COM port	COM0:RS232/RS485-2/RS485-4, COM1:RS232/RS485-2/RS485-4, COM2:RS232			
<b>Electrical specification</b>				
Rated power	6 W		9.6 W	
Rated voltage	DC24V		DC24V	
Input range	12~28VDC		21~28VDC	
Power down allowed	<5ms			
Insulation resistance	Greater than 50MΩ @ 500V DC			
Dielectric strength test	500V AC 1 minute			
<b>Structure specification</b>				
Shell color	Black			
Shell material	ABS			
Dimensions(mm)	204×150×52			
Cutout size(mm)	192×138			
Weight	0.85kg			
<b>Environment specification</b>				
Operating temperature	0~45℃		-10~70℃	
Operating humidity	10~90% non-condensing			
Storage temperature	-10~60℃		-20~75℃	
Storage humidity	10~90% non-condensing			
Shockproof test	10~25Hz (X, Y, Z direction, 2G, 30 minutes)			
Cooling method	Natural air cooling			
<b>Certification</b>				
Degree of protection	IP65 (front panel)			
CE certification	Comply with EN61000-6-2:2005 and EN61000-6-4:2007standards			
FCC compatibility	Complies with FCC Class A			

# MT4000 Series Technical Specifications



MT4404T/MT4404TE  
MT4424T/MT4424TE



MT4414T/MT4414TE

Model	MT4404T	MT4404TE	MT4414T	MT4414TE	MT4424T	MT4424TE
<b>Performance specification</b>						
Display	7" 16:9 TFT					
Resolution	800×480 pixels					
Color	65536 colors					
Backlight	LED					
Brightness	300cd/m <sup>2</sup>					
Backlight life	50000 hr.					
Touch Panel	4-wire precision resistance network					
Processor	32-bit RISC CPU 400MHz		32-bit 800MHz RISC		32-bit RISC CPU 624MHz	
Memory	8M FLASH, 16M SDRAM		128M FLASH, 64M SDRAM		128M FLASH, 64M Mobile DDR	
Expandable memory	None		1 USB host		1 USB host, 1 SD card	
Recipe memory & RTC	256KB & RTC		512KB & RTC		128KB & RTC	
Printer port	Serial port			USB/Serial port		
Ethernet	None	Support	None	Support	None	Support
Program download	USB SLAVE/ Serial port	USB SLAVE/ Serial port/ Ethernet port	USB SLAVE/ Serial port	USB SLAVE/ Serial port/ Ethernet port	USB SLAVE/ Serial port	USB SLAVE/ Serial port/ Ethernet port
COM port	COM0:RS232/RS485-2/RS485-4, COM1:RS232/RS485-2/RS485-4, COM2:RS232		COM0:RS232/RS485-2/RS485-4, COM2:RS232		COM0:RS232/RS485-2/RS485-4, COM1:RS232/RS485-2/RS485-4, COM2:RS232	
<b>Electrical specification</b>						
Rated power	8W		4W		8W	
Rated voltage	DC24V		DC24V		DC24V	
Input range	DC21~28V		DC12~28V		DC21~28V	
Power down allowed	<5ms		<3ms		<5ms	
Insulation resistance	Greater than 50MΩ @ 500V DC					
Dielectric strength test	500V AC 1 minute					
<b>Structure specification</b>						
Shell color	Black					
Shell material	ABS					
Dimensions(mm)	206.8×124.2×45.1		204×150×37		206.8×124.2×45.1	
Cutout size(mm)	193.5×112.5		192×138		193.5×112.5	
Weight	0.8kg		0.75kg		0.8kg	
<b>Environment specification</b>						
Operating temperature	0~45℃		0~45℃		0~45℃	
Operating humidity	10~90% non-condensing					
Storage temperature	-10~60℃		-10~60℃		-10~60℃	
Storage humidity	10~90% non-condensing					
Shockproof test	10~25Hz (X, Y, Z direction, 2G, 30 minutes)					
Cooling method	Natural air cooling					
<b>Certification</b>						
Degree of protection	IP65 (front panel)					
CE certification	Comply with EN61000-6-2:2005 and EN61000-6-4:2007standards					
FCC compatibility	Complies with FCC Class A					

# MT4000 Series Technical Specifications



MT4403T/MT4403TE



MT4512T/MT4512TE  
MT4522T/MT4522TE

Model	MT4403T	MT4403TE	MT4512T	MT4512TE	MT4522T	MT4522TE
<b>Performance specification</b>						
Display	8" TFT		10.1" 16:9 TFT		10.1" 16:9 TFT	
Resolution	800×600 pixels		800×480 pixels		800×480 pixels	
Color	65536 colors		65536 colors		65536 colors	
Backlight	LED		LED		LED	
Brightness	250cd/m <sup>2</sup>		320cd/m <sup>2</sup>		320cd/m <sup>2</sup>	
Backlight life	50000 hr.					
Touch Panel	4-wire precision resistance network					
Processor	32-bit RISC CPU 400MHz		32-bit 800MHz RISC		32-bit RISC CPU 400MHz	
Memory	8M FLASH, 32M SDRAM		128M FLASH, 64M SDRAM		16M FLASH, 32M SDRAM	
Expandable memory	None		1 USB host		1 USB Host, 1 SD Card	
Recipe memory & RTC	256KB & RTC		512KB & RTC		256KB & RTC	
Printer port	DB25/Serial port		Serial port		USB/Serial port	
Ethernet	None	Support	None	Support	None	Support
Program download	USB SLAVE/ Serial port	USB SLAVE/ Serial port/ Ethernet port	USB SLAVE/ Serial port	USB SLAVE/ Serial port/ Ethernet port	USB SLAVE/ Serial port	USB SLAVE/ Serial port/ Ethernet port
COM port	COM0:RS232/RS485-2/RS485-4, COM1:RS232/RS485-2/RS485-4, COM2:RS232		COM0:RS232/RS485-2/RS485-4, COM2:RS232		COM0:RS232/RS485-2/RS485-4, COM1:RS232/RS485-2/RS485-4, COM2:RS232	
<b>Electrical specification</b>						
Rated power	8W		8W		8W	
Rated voltage	DC24V		DC24V		DC24V	
Input range	DC12~28V		DC12~28V		DC12~DC28V	
Power down allowed	<5ms					
Insulation resistance	Greater than 50MΩ @ 500V DC					
Dielectric strength test	500V AC 1 minute					
<b>Structure specification</b>						
Shell color	Black		Black		Black	
Shell material	ABS		ABS		ABS	
Dimensions(mm)	235×172×53		310×230×55		310×230×58	
Cutout size(mm)	224×161		298×218		298×218	
Weight	1.3kg		2kg		2kg	
<b>Environment specification</b>						
Operating temperature	-10~45℃		0~45℃		0~45℃	
Operating humidity	10~90% non-condensing					
Storage temperature	-20~60℃		-10~60℃		-10~60℃	
Storage humidity	10~90% non-condensing					
Shockproof test	10~25Hz (X, Y, Z direction, 2G, 30 minutes)					
Cooling method	Natural air cooling					
<b>Certification</b>						
Degree of protection	IP65 (front panel)					
CE certification	Comply with EN61000-6-2:2005 and EN61000-6-4:2007standards					
FCC compatibility	Complies with FCC Class A					

# MT4000 Series Technical Specifications



MT4513T/MT4513TE  
MT4523T/MT4523TE



MT4620TE

Model	MT4513T	MT4513TE	MT4523T	MT4523TE	MT4620TE
<b>Performance specification</b>					
Display	10.4" TFT		10.4" TFT		12.1" TFT
Resolution	800×600 pixels		800×600 pixels		800×600 pixels
Color	65536 colors		65536 colors		65536 colors
Backlight	LED		LED		LED
Brightness	300cd/m <sup>2</sup>		300cd/m <sup>2</sup>		450cd/m <sup>2</sup>
Backlight life	50000 hr.				
Touch Panel	4-wire precision resistance network				
Processor	400MHz RISC	800MHz RISC	520MHz RISC		800MHz RISC
Memory	128M FLASH, 64M SDRAM		16M FLASH, 32M SDRAM		1Gbit NAND Flash + 64M DDR2-667
Expandable memory	None	1 USB HOST	1 SD Card, 1 USB HOST		1 SD Card, 1 USB HOST
Recipe memory & RTC	512KB & RTC		256KB & RTC		128KB & RTC
Printer port	Serial port	USB SLAVE/Serial port	USB SLAVE/Serial port		USB SLAVE/Serial port/Ethernet port
Ethernet	None	Support	None	Support	Support
Program download	USB SLAVE/Serial port	USB SLAVE/Serial port/Ethernet port	USB SLAVE/Serial port	USB SLAVE/Serial port/Ethernet port	USB SLAVE/Serial port/Ethernet port
COM port	COM0:RS232/RS485-2/RS485-4, COM2:RS232		COM0:RS232/RS485-2/RS485-4, COM1:RS232/RS485-2/RS485-4, COM2:RS232		
<b>Electrical specification</b>					
Rated power	8 W		12 W		10 W
Rated voltage	DC24V		DC24V		DC24V
Input range	DC10~DC28V		DC12~DC28V		DC21~DC28V
Power down allowed	<5ms				
Insulation resistance	Greater than 50MΩ @ 500V DC				
Dielectric strength test	500V AC 1 minute				
<b>Structure specification</b>					
Shell color	Black		Black		Cold gray
Shell material	PC+ABS		ABS		ABS
Dimensions(mm)	310×230×55		310×230×55		350×260×54
Cutout size(mm)	298×218		298×218		340×250
Weight	2kg		2kg		4.4kg
<b>Environment specification</b>					
Operating temperature	0~45℃		0~45℃		-10~55℃
Operating humidity	10~90% non-condensing				
Storage temperature	-10~60℃		-10~60℃		-20~60℃
Storage humidity	10~90% non-condensing				
Shockproof test	10~25Hz (X, Y, Z direction, 2G, 30 minutes)				
Cooling method	Natural air cooling				
<b>Certification</b>					
Degree of protection	IP65 (front panel)				
CE certification	Comply with EN61000-6-2:2005 and EN61000-6-4:2007standards				
FCC compatibility	Complies with FCC Class A				

## Dimensions (Unit:mm)

<p>MT4210T MT4220TE</p>
<p>MT4300C MT4300CE MT4300T MT4300TE</p>
<p>MT4404T MT4404TE MT4424T MT4424TE</p>
<p>MT4414T MT4414TE</p>

# Dimensions (Unit:mm)

**MT4403T  
MT4403TE**

235  
172  
53  
6  
3  
224  
161  
Panel cutout dimension  
4 Panel  
Installation hold-down groove

**MT4512T  
MT4512TE  
MT4522T  
MT4522TE  
MT4513T  
MT4513TE  
MT4523T  
MT4523TE**

310  
230  
54  
8  
39.2  
298  
218  
Panel cutout dimension  
6 Panel  
Installation hold-down groove

**MT4620TE**

350  
260  
54  
12.8  
4  
340  
250  
Panel cutout dimension

# Software Description

## Operation window:

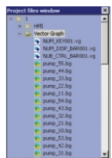
A simple and practical platform for project design and editing

- Completing all functions from editing components library and simulation compilation, to download;
- Browse various project information and make better adjustment in time.

## Project file window

Facilitate in modifying components library

- Click an image library file, and the user can browse and edit the file;
- Visual understanding of the HMI quantity used.



All windows can be dragged freely, and a user can create individualized operation interfaces according to his/her own habits.

## Menu bar:

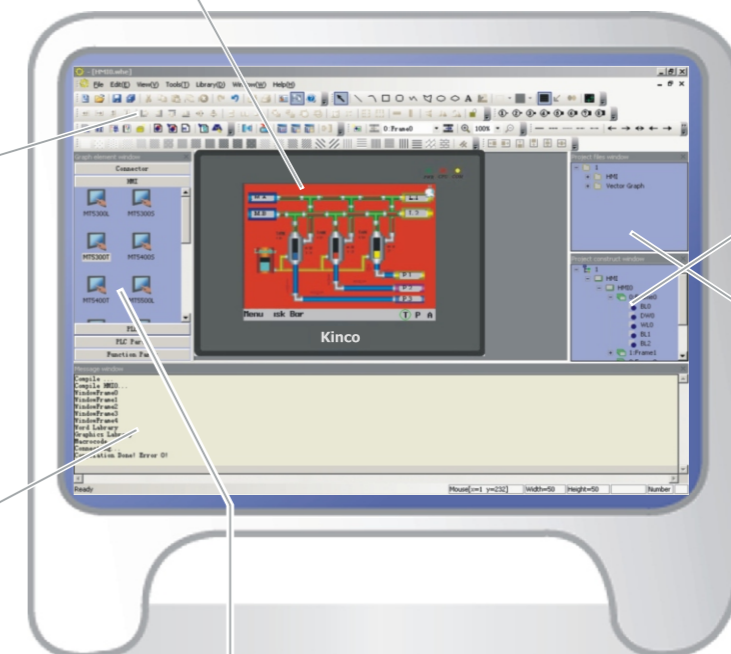
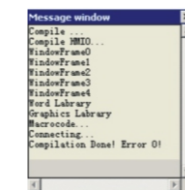
True color icon, visual and convenient navigation

- Familiar icon style for most users, easy to use;
- Simple and visual function.

## Compilation information window

Display compilation progress

After compilation display, the user can download files.



## Components library window

Five components libraries, meeting design requirements



Communication connection

Touch screen

PLC

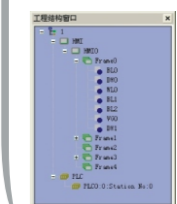
PLC components

Functional components

## Project structure window

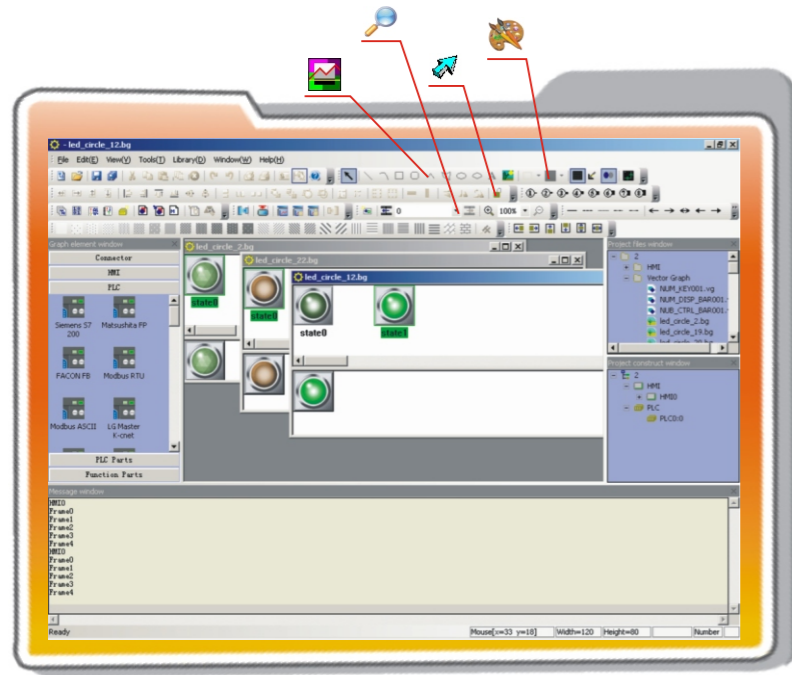
Master the conditions of the entire project

Master the HMI, HMI components and PLC type used for the entire project.





# Software Description



### Completely support contrast and brightness adjustment

The contrast and brightness of the LCD can be adjusted online through setting special register without the need to adjust them by means of jumper switch or potentiometer.

### Rich components library resources

#### Facilitate in making beautiful configuration interfaces

The original components libraries of the EV5000 can meet design requirements in most cases. If a customer has special requirement, he can build own graph library with the drawing tools of EV5000 software. EV5000 has a huge number of 3D effect components which facilitate in making mobile 3D graphics and animation.

### Digital photos/Corporate logo import

The EV5000 supports the import of multiple Windows image formats, such as JPEG, GIF and BMP. The user can import their own logo or other images as initial screen.

### Supporting all fonts of the Windows platform

In graphic mode, static text can be displayed in any fonts supported by the windows system on the configuration interface. The user has more choice for fonts now.

### Recipe editing function

Providing 256K Words recipe memory, without any loss upon power failure, facilitating the setting and modification of initial values of the equipment, capable of providing multiple different recipes for the controller.

### Perfect event log function

It can store records of events occurred during production, without any loss upon power failure, facilitating invocation anytime; if necessary, this function can be used to learn the operational history of the equipment and improve the design of the process flow.

### Powerful vector graphic function, supporting drawing of arcs, sectors, scales and pointers at any angle

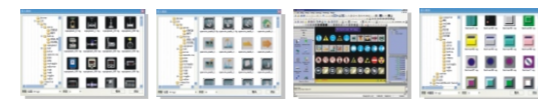
- Eight line width options
- Three-level zoom-in/zoom-out display
- Supporting drawing of various vector-based image
- User-defined color filling in multiple modes

### Password protection

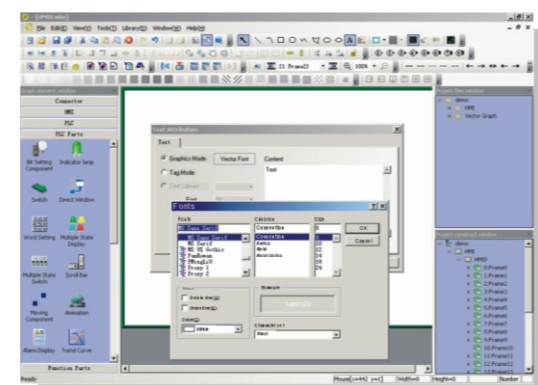
Three different authority levels, authorized operators can execute necessary setting and operations according to their authority level. The security performance of the system is greatly enhanced.

### Multi-language application environment

Any language supported by Windows can be displayed on the panel. The user can use up to 4 languages within a project, which makes it possible for global users to share their wisdom with their clients worldwide.



Bitmap image      Vector graph



# Software Description



### Learn compiling macro commands in ten minutes

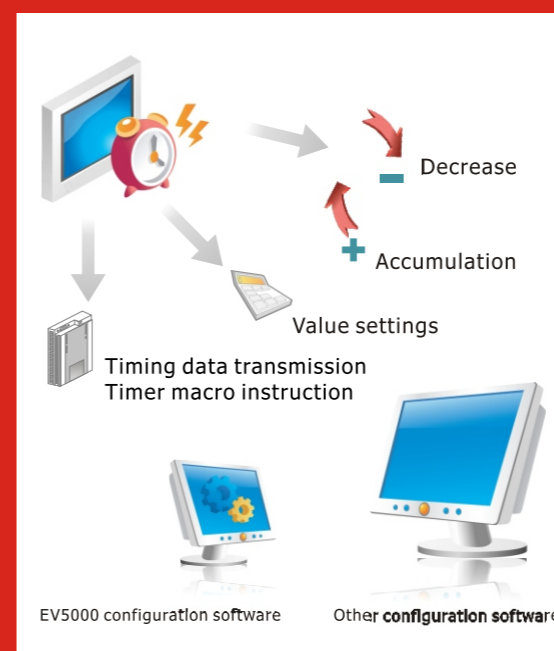
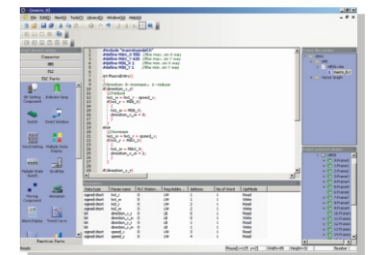
Macro codes compatible with standard C language can be triggered in multiple methods, featuring powerful function and flexible use.

### In the past

Most HMIs in the market use respectively defined script languages, lack of versatility, which are hard to learn since there is no sufficient reference resources, and furthermore they cannot be implanted into other HMI panels.

### Present

The EV5000 provides unique macro instruction compilation fully compatible with the standard C language. If you are familiar with the C language, you can learn how to code macro instructions in ten minutes. The rich reference documents, powerful function, and easy portability greatly enhance the macro command function of the EV5000.



Powerful online networking and synchronous communication function and rapid processing speed have simplified the complicated process flow design.

### Powerful timer function

- iThe timer of MT5000 can implement the timing of a minimum of 100 ms, featuring accurate timing;
- iConfigured with multiple functions such as timed data transfer, value settings, accumulation, decrease, and timed macro instruction;
- iMultiple trigger modes such as register trigger and initialization trigger, to facilitate users in implementing flexible configuration programming.

### Customizable startup LOGO window

Different from other HMIs which do not have any screen display upon startup, the MT5000 can immediately display a user-defined LOGO upon power-on until the configuration window finishes startup, lasting about five seconds. The user can freely edit and modify the startup window.

EV5000 configuration software

Other configuration software

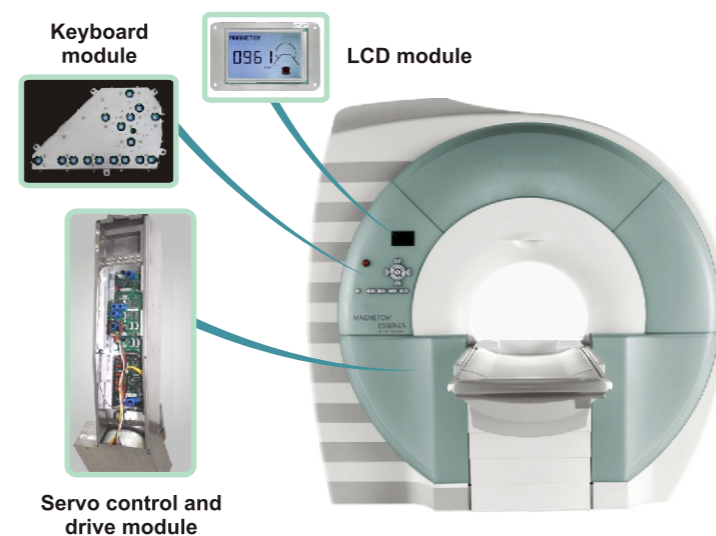
# Kinco, Automation Solution Supplier

Kinco presents you solutions based on automation technology and industry know-how.

## Kinco provides important sub-system to a world-famous healthcare equipment manufacturer.

Kinco satisfies the most rigid quality requirement in healthcare industry.

- **System function:** control and drive the motion of patient table for MRI inspection.
- **Features:** Ultra-low RF emission, withstand strong magnetic interference.



## KincoCut paper cutter control system

Together with leading paper cutter manufacture in China, Kinco presents advanced cutter control system at competitive cost.

- **Features:**
  - Advanced performance;
  - Optimized CIP3 and CIP4 technology, compatible with printing data format standard;
  - All major components from Kinco, ensure quality and competitive cost.



## Kinco Automation Solutions

### Operator Terminal for construction machine

KG/KW series operator terminal, serving famous heavy machine builders all over China.

- **Features:**
  - CAN bus interface;
  - Compatible with protocols of major controllers;
  - Enhanced structure design, withstand shock and extreme temperature;
  - Enhanced EMC design, withstand harsh interference;
  - User-friendly editing software.



### Tower crane safety controller

Kinco-TB safety controller, compatible with GB/T5031-2008 standard, protect your assets and staff.

- **Features:**
  - Display system critical status and parameters in real time;
  - Alarm when critical status events occur;
  - Record system log;
  - Flexible and easy to be expanded.

